

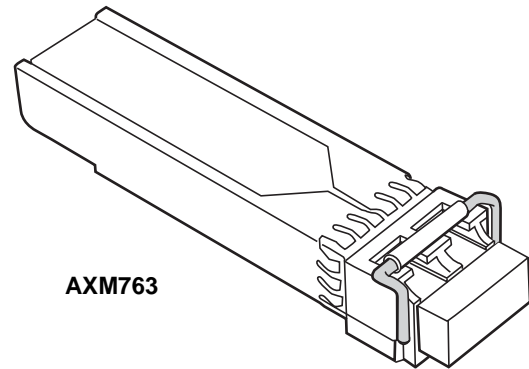
## ProSafe 10 Gigabit Base-LRM SFP+ Module AXM763

### Install Your Optical Module

The 10G Base-LRM SFP+ module provides a full-duplex 10G bps each direction for Ethernet operation on NETGEAR managed switches.

The switch will automatically detect the AXM763, so you can simply plug it into an available module slot.

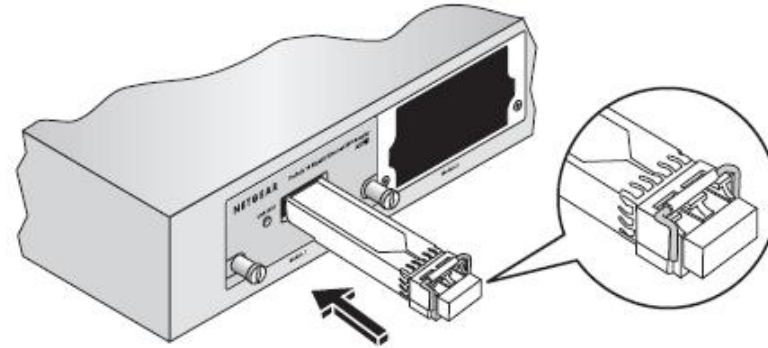
The module can be inserted or removed while the switch is operational.



AXM763

### Installing a AXM763 Module

Insert the module firmly into the slot that supports the SFP+ interface. Make sure the optical cable you use is multi-mode LC to LC duplex cable.



### Removing a AXM763 Module

Release the module latch by pulling down the handle bar across the module, and pull the module out of the module slot.

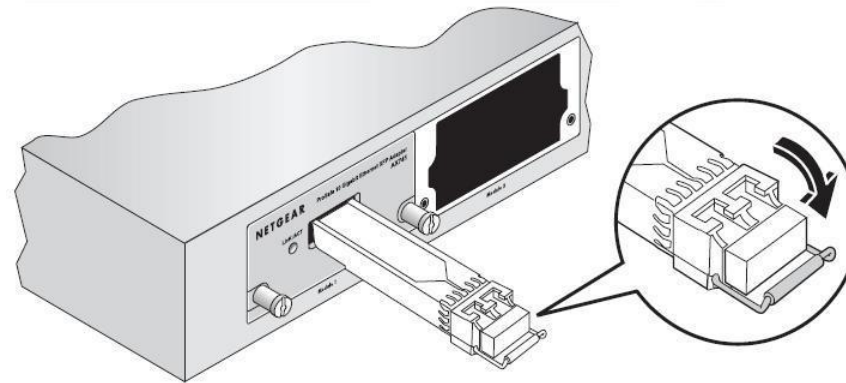


Table 1:

Technical Specifications	
Standards	IEEE 802.3aq 10GBase-LRM
Wavelength	1310nm
Dimensions (HxWxD)	0.46" x 0.53" x 2.19" (11.9 mm x 13.7 mm x 55.7 mm)
Weight	0.018kg
Operating Temperature	23 -158° F (-5 - 70°C)
Storage Temperature	-40 -185 °F (-40 - 85°C)
Operative relative humidity	85% @ (25°C)
Operating Distance	Up to 220m for the following multi-mode optical fiber (MMF): 62.5/125µm (OM1) multi-mode fiber, 50/125µm (OM2) multi-mode fiber, 50/125µm (OM3) multi-mode fiber 'laser optimized'
Connectors	LC
Power Consumption	<1.5w
MTBF	966,837 hr(110 years)
Safety Certification	UL 1950 CSA 22.2 No. 950
Environmental Compliance	RoHS

## Technical Support

---

Thank you for selecting NETGEAR products.

After installing your device, locate the serial number on the label of your product and use it to register your product at <http://www.NETGEAR.com/register>. Registration is required before you can use our telephone support service. Registration via our web site is strongly recommended.

Go to <http://kbserver.netgear.com> for product updates and Web support. For Warranty and Regional Customer Support information, see the Warranty Card that came with your product.



201-12543-02



May 2010

## Regulatory Compliance

---

### Statement of Conditions

In the interest of improving internal design, operational function, and/or reliability, NETGEAR reserves the right to change the product described in this document without notice. NETGEAR does not assume any liability that may accrue due to the use or application of the product(s) or circuit layout(s) described herein.

### Certificate of Manufacture/Importer

It is hereby certified the NETGEAR model AXM763 has been suppressed in accordance with the condition set out in MBPT-Amtsb|Vfg 243/1991 and vfg 46/1992. The operation of some equipment (for example, test transmitters) in accordance with regulation may, however, be subject to certain restrictions. Please refer to the note in the operating instructions. Federal Office for Telecommunications Approvals has been notified of the placing of this equipment on the market and has been granted the right to test the series for compliance with regulation.

Note: This device has been tested and found to comply with limits for a Class B digital device, pursuant to part 15 of FCC rules. These limits are designed to provide reasonable protection against harmful interference in a commercial installation.

### Laser Safety Warning

This is a Class 1 laser product.

Warning: Because invisible laser radiation may be emitted from aperture of the port when no fiber cable is connected, avoid exposure to laser radiation and do not stare into the open aperture.