

## Beoplay H95

Quick Start Guide

Lynguide

Kurzanleitung

Guía de inicio rápido

Guide de démarrage rapide

Guida di avvio rapido

クイックスタートガイド

빠른 시작 가이드

Snelstartgids

Guia de início rápido

Краткое руководство пользователя

Snabbstartguide

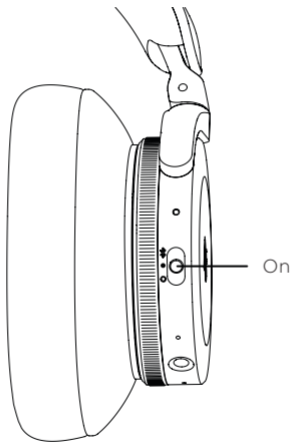
快速入门指南

快速入門指南

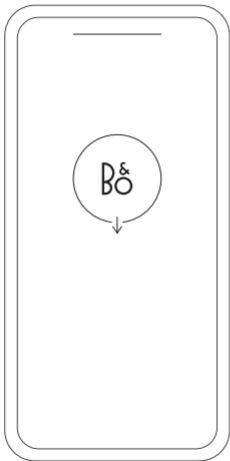
BANG & OLUFSEN



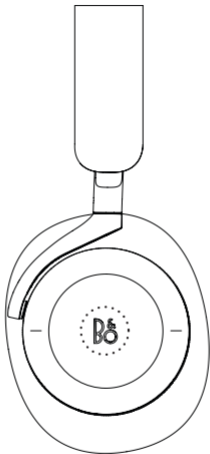
# 1. Turn on your new Beoplay H95



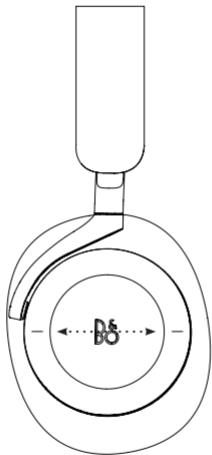
## 2. Download the Bang & Olufsen App



### 3. Gestures

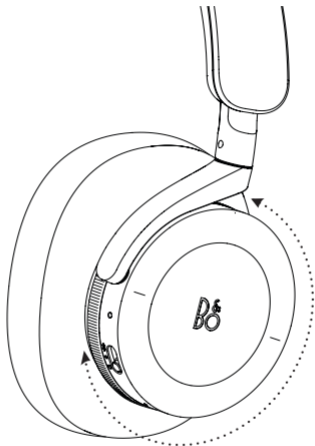


**Tap**  
Play/Pause

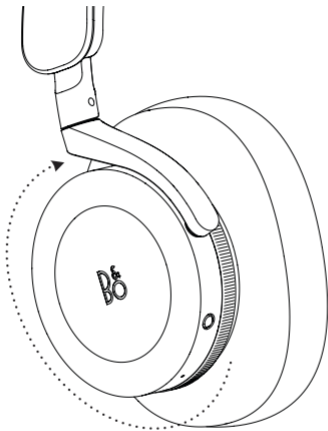


**Swipe**

Next/Previous



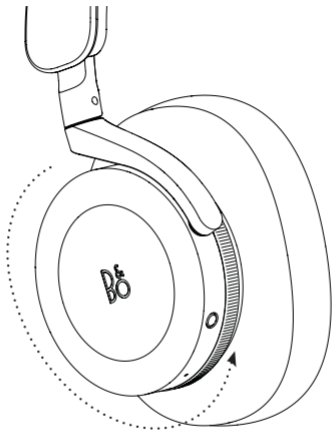
**Rotate**  
Volume (Up/Down)



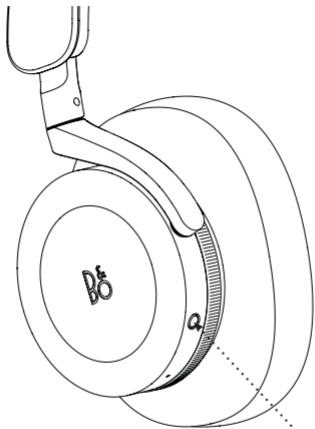
## **Rotate**

Active Noise Cancellation

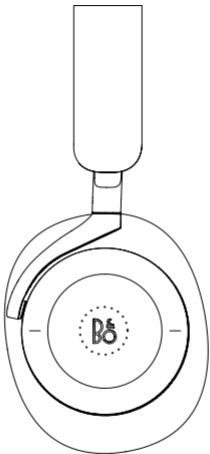




**Rotate**  
Transparency Mode

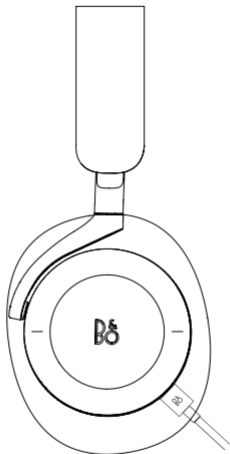


**Press**  
Voice Assistant

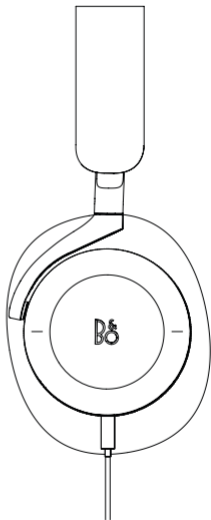
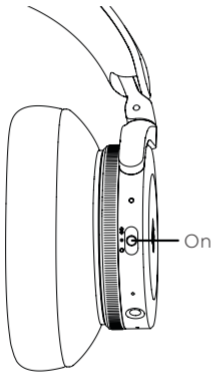


**Tap**  
Call Operation

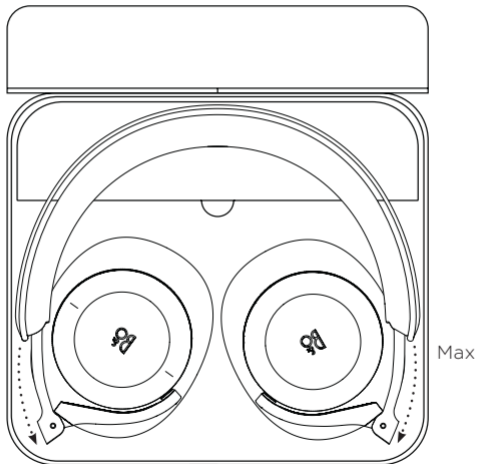
## 4. Charging



## 5. Line-in



## 6. Storage



## 7. Contents

